



"Y" (WYE) STRAINER ♦ 300 WOG

DUCTILE IRON ♦ GROOVED ENDS

MODELS: YS 58-D-GG
(DUCTILE IRON)



FEATURES

SIZE RANGE : 2" ~ 12"

- ♦ **GROOVED-END DESIGN**
TITAN[†] UNIT YS58-D-GG GROOVED END DESIGN CAN BE QUICKLY AND EASILY INSTALLED.
- ♦ **LARGE STRAINING CAPACITY**
WITH ITS LARGE BODY AND SIZABLE STRAINING ELEMENT, THE YS58-D-GG PROVIDES EXCELLENT OPEN AREA RATIOS.
- ♦ **RUGGED CONSTRUCTION**
DURABLE HEAVY WALL CONSTRUCTION OF DUCTILE IRON PROVIDES HIGH STRENGTH AND LONG SERVICE LIFE.
- ♦ **SELF-CLEANING CAPABILITY**
WITH A TAPPED NPT BLOW-OFF CONNECTION, THIS UNIT CAN BE FITTED WITH A BLOW-DOWN VALVE WHICH FACILITATES CLEANING OF THE STRAINING ELEMENT. PLEASE CONTACT FACTORY FOR MORE INFORMATION.
- ♦ **EPOXY PAINTED**
ALL UNITS ARE EPOXY PAINTED TO HELP RESIST RUST AND CORROSION. TITAN FCI ALSO OFFERS EPOXY COATING AS AN OPTION FOR THE YS58.
- ♦ **POTABLE WATER/FDA APPROVED COATINGS AVAILABLE**



IN ADDITION TO ITS LEAD FREE, DUCTILE IRON BODY, TITAN CAN PROVIDE NSF/ASME AND FDA APPROVED EPOXY COATINGS WHICH MAKE THIS PRODUCT SUITABLE FOR POTABLE WATER AND FOOD CONTACT APPLICATIONS. NUMEROUS OPTIONS ARE AVAILABLE. PLEASE CONTACT US FOR MORE DETAILS.

TECHNICAL

PRESSURE/TEMPERATURE RATING
SIZES 2" ~ 12"

WOG (Non-shock): 300 PSI @ 160 °F

APPLICATIONS

GENERAL APPLICATION: Y-STRAINERS ARE INSTALLED IN A PIPING SYSTEM TO REMOVE UNWANTED DEBRIS FROM THE PIPELINE, PROTECTING EXPENSIVE EQUIPMENT DOWNSTREAM SUCH AS PUMPS, METERS, SPRAY NOZZLES, COMPRESSORS, AND TURBINES. THEY CAN BE PLACED IN A HORIZONTAL OR VERTICAL PIPELINE AS LONG AS THE SCREEN IS IN A DOWNWARD POSITION. STRAINING IS ACCOMPLISHED VIA AN INTERNAL PERFORATED OR MESH LINED STRAINING ELEMENT, THE SIZE OF WHICH SHOULD BE DETERMINED BASED ON THE SIZE OF THE SMALLEST PARTICLE TO BE REMOVED.

SERVICING: THE STRAINING ELEMENT NEEDS REGULAR CLEANING TO PREVENT DEBRIS BUILD UP. IT IS NOT ADVISABLE TO ALLOW THE DIFFERENTIAL PRESSURE TO INCREASE BY 20 PSI. ALTHOUGH CLEANING NORMALLY REQUIRES THE REMOVAL OF THE STRAINING ELEMENT, INSTALLING AND USING A TITAN BLOW-OFF DRAIN VALVE CAN INCREASE THE TIME BETWEEN CLEANINGS.

The above data represent common market service applications. No representation or guarantee, expressed or implied, is given due to the numerous variations of concentration, temperatures and flow conditions that may occur during actual service.

TITAN[®] FLOW CONTROL, INC.
YOUR PIPELINE TO THE FUTURE!

Tel: 910-735-0000 ♦ Fax: 910-738-3848 ♦ titan@titanfci.com ♦ www.titanfci.com
290 Corporate Drive ♦ PO Box 7408 ♦ Lumberton, NC 28358



TITAN® FLOW CONTROL, Inc.

290 Corporate Drive E-mail: titan@titanfci.com
 Lumberton, NC 28358 Web: www.titanfci.com
 Tel: 910.735.0000 Fax: 910.738.3848

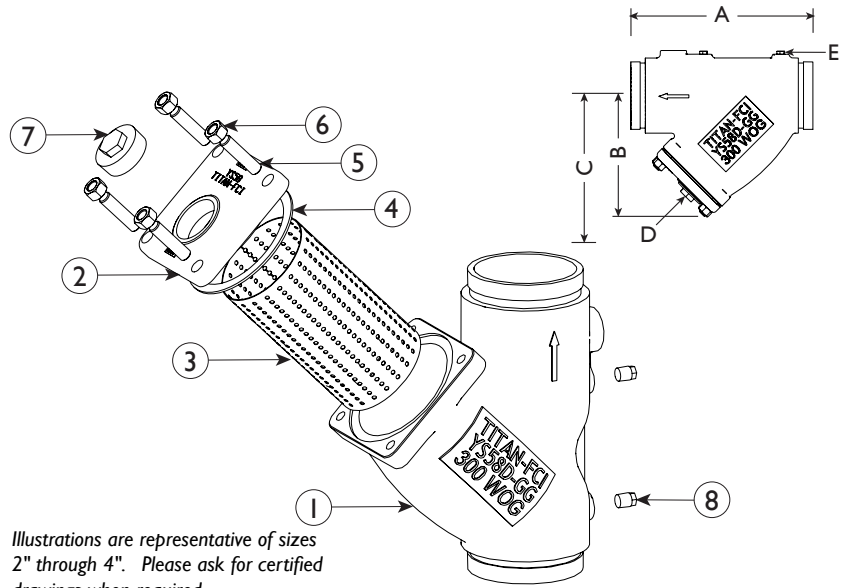
"Y" (WYE) STRAINER
YS 58-D-GG (Ductile Iron)

Grooved Ends • Ductile Iron

ASME Class
 125

BILL OF MATERIALS (1)

No.	PART	YS 58-D-GG
1	Body	Ductile Iron ASTM A395
2	Cover	Ductile Iron ASTM A395
3	Straining Element (2)	Stainless Steel
4	Gasket (2)	EPDM
5	Studs	Carbon Steel A193-B7
6	Nuts	Carbon Steel A194-2H
7	NPT Plug (Blow-off)	Carbon Steel A105
8	NPT Plugs (Gauge Taps)	Carbon Steel A105



Illustrations are representative of sizes 2" through 4". Please ask for certified drawings when required.

1. Bill of Materials represents standard materials. Equivalent or better materials may be substituted at the manufacturer's discretion.
2. Denotes recommended spare parts.

DIMENSIONS AND PERFORMANCE DATA (1)

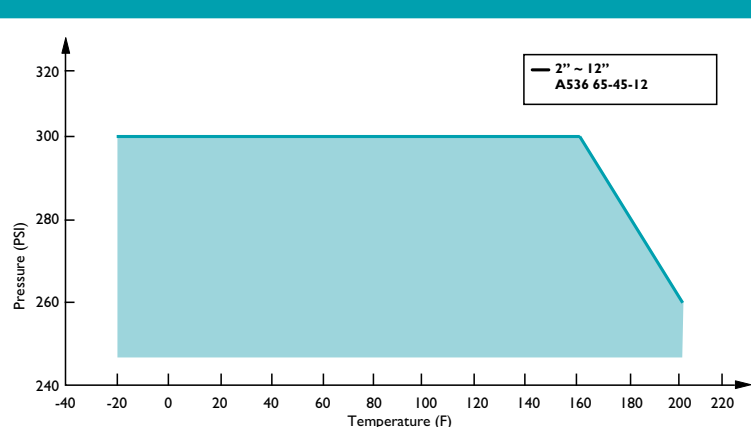
SIZE	DIMENSIONS AND PERFORMANCE DATA (1)									
	in	2	2 1/2	3	4	5	6	8	10	12
	mm	50	65	80	100	125	150	200	250	300
O.D. DIMENSION	in	2.38	2.88	3.50	4.50	5.56	6.63	8.63	10.75	12.75
	mm	60.3	73.0	88.9	114.3	141.3	168.4	219.1	273.1	323.9
A DIMENSION FACE TO FACE (FLAT FACE)	in	7.88	10.00	10.13	12.13	15.62	18.5	21.63	25.75	29.87
	mm	200	254	256	308	397	470	550	655	759
B DIMENSION CENTER LINE TO BOTTOM	in	5.25	6.50	7.0	8.25	11.25	13.5	15.5	18.5	21.38
	mm	133	165	178	210	286	343	394	470	543
C DIMENSION SCREEN REMOVAL	in	7.0	9.75	10.0	12.0	20.0	20.0	22.75	28.0	30
	mm	178	248	254	305	508	508	578	711	762
D NPT Plug BLOW-OFF	in	1/2	1	1	1 1/2	2	2	2	2	2
	mm	15	25	25	40	50	50	50	50	50
E NPT Plugs GAUGE TAPS	in	1/4	1/4	1/4	1/4	1/4	1/4	1/4	1/4	1/4
	mm	8	8	8	8	8	8	8	8	8
APPROXIMATE ASSEMBLED WEIGHT	lb	10.5	15.6	19.8	34.0	59.2	84.1	186.3	215	447
	kg	4.8	7.1	9.00	15.4	26.9	38.2	84.5	98	203
Flow Coefficient	C _v	70	110	160	260	400	570	950	1600	2200

SCREEN AREAS

Size	Area In ²	Size	Area In ²
2"	28.8	6"	238
2-1/2"	45.5	8"	345
3"	54.7	10"	537
4"	91.1	12"	596
5"	144		

1. Dimensions and weights are for reference only. When required, request certified drawings.
2. Face to face values have a tolerance of ±0.06 in (±0.20 mm) for sizes 10" and lower and a tolerance of ±0.12 in (±3.0 mm) for sizes 12" and larger.

PRESSURE - TEMPERATURE RATINGS (1)



PRESSURE - TEMPERATURE RATING

A395 **2" ~ 12"**
 WOG (Non-shock): 300 PSI @ 160 °F

SCREEN SELECTION GUIDELINES

Size	Perf	Open Area
2" ~ 4"	1/16 (.0625)	41%
5" ~ 12"	1/8 (.125)	40%

REFERENCED STANDARDS & CODES

STANDARD	DESCRIPTION
UL Subject 321	Pipeline Strainers
ULC / ORD-C 321	Pipeline Strainers (Canada)
AWWA C606	Grooved and Shouldered Joints

1. This chart displays the pressure-temperature ratings for the YS-58-D-GG body.

As †Titan product changes occur, there may be short-term differences between actual product specifications and the information contained within our literature. †Titan FCI reserves the right to make design and specification changes to improve our products without prior notification. When required, request certified drawings. †TITAN is a registered trademark of Titan Flow Control Incorporated.