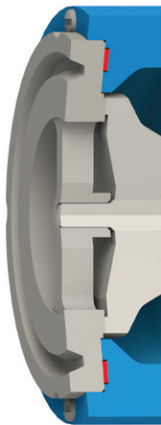


The **DFT[®] Model WLC[®] BF** wafer style check valve is for Severe Duty **Boiler Feed** service applications and any other severe duty application. The one piece WC9 body has a ribbed body design with a welded disc and stem. Additional severe duty features include 410 trim, Colmonoy coated stem, and carburized bushings. It is a lightweight, spring-assisted, center-guided, non-slam check valve that provides reliable, low-maintenance service for a wide range of fluids and pressure/ temperature combinations.

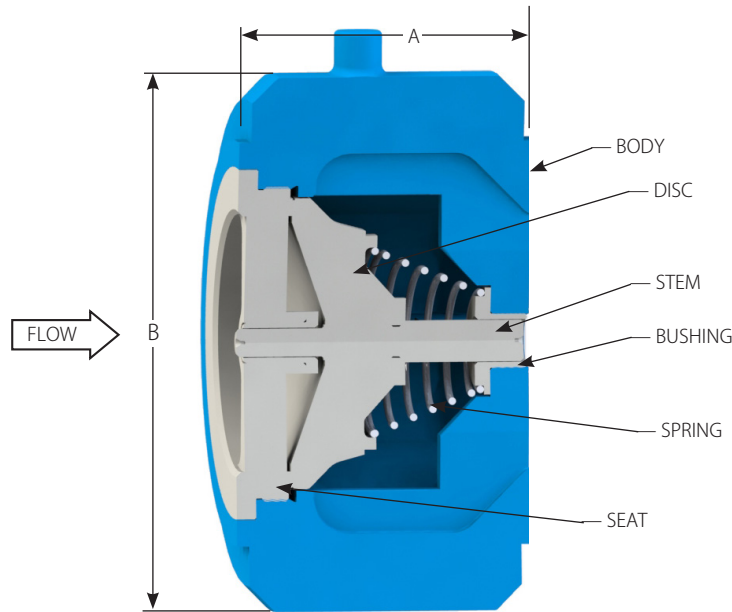


FEATURES:

- Wafer design
- Severe Duty for Boiler Feed Service
- 2 1/2" to 10" Line Size
- Standard WC9 body material
- Inconel[®] X-750 spring
- 410 trim
- Center-guided/Dual-guided stem
- Horizontal or vertical installation
- Spring-assisted silent closing
- ASME Class 600, 900/1500
 - MSS-SP 61 seat leakage
 - API 594 Face-to-Face dimension:
 - Class 600 RF
 - Class 900 & 1500 RF
- Axial flow
- Nozzle style
- Lightweight
- Wafer RF
- Options:
 - Soft seat (for bubble-tight shutoff)
 - Custom sizing - low flow
 - Stellite[®] trim
 - NACE- consult DFT



Optional RTJ ends
Consult Factory for more details.



Standard RF ends

MATERIALS OF CONSTRUCTION

COMPONENT	CARBON STEEL BODY
Body	ASTM A217 WC9
One Piece Disc/Stem Assembly	Colmonoy Coated
Seat	410
Spring	Inconel [®] X-750
Bushing	Carburized

Consult DFT Catalog pages 48 and 49 for Pressure/Temperature ratings and soft seat materials.

WLC[®] BF

For Boiler Feed Service

Class	600 RF	900 RF	1500 RF	
2 1/2"	A	*	3.63	3.63
	B	*	6.40	6.40
	Weight	*	20	20
	Cv	*	63	63
	CP	*	0.18	0.18
3"	A	2.88	3.25	3.25
	B	5.75	6.75	6.75
	Weight	11	21	21
	Cv	120	102	102
	CP	0.26	0.19	0.19
4"	A	3.13	4	4
	B	7.50	8.19	8.19
	Weight	21	38	38
	Cv	211	190	190
	CP	0.49	0.46	0.46

Class	600 RF	900 RF	1500 RF	
6"	A	5.38	6.25	6.25
	B	10.38	11.25	11.25
	Weight	68	100	100
	Cv	397	333	333
	CP	0.66	0.58	0.58
8"	A	6.50	8.13	8.13
	B	12.63	13.81	13.81
	Weight	134	237	244
	Cv	702	558	558
	CP	0.56	0.66	0.66
10"	A	8.38	9.50	9.75
	B	15.5	17.06	17.06
	Weight	270	430	430
	Cv	612	680	680
	CP	.51	0.61	0.61

SOFT SEAT - Maximum operating temperatures of materials				
MATERIALS	BUNA-N	EPDM	VITON [®] & TFE-Encapsulated VITON [®]	ZELON [®]
TEMP. (°F)	-70 to 250	-75 to 300	-40 to 400	37 to 450

*Consult DFT for more information.

For additional sizes/pressure classes, contact DFT.

All dimensions are in inches. Weights are in pounds. For metric measurements, visit www.dft-valves.com. CP: Cracking Pressure (psig)

WAFER VALVES - Boiler Feed