



4000DV

DUCTILE IRON GROOVED-END BALL VALVE



AMERICANVALVE.COM



FEATURES

- PFA* Fused Solid Stainless Steel Ball
- Blowout-Proof Stainless Steel Stem
- Reinforced PTFE Seats
- Lockable in Open or Closed Positions
- ISO Mounting Pad for Easy Actuation
- Adjustable Length/Removable Handles to fit into areas of limited space
- Full Port

- NSF/ANSI 61 and NSF/ANSI 372 MSS SP-110

RATING

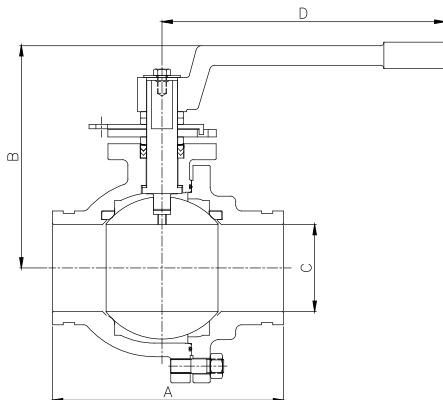
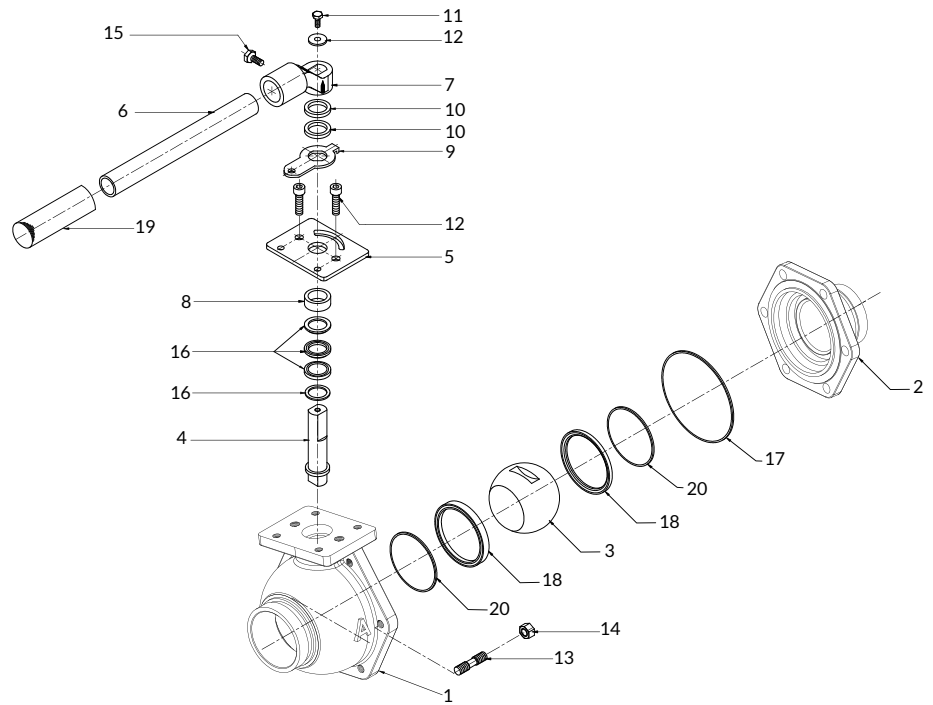
- 600 psi CWP



MATERIAL SPECIFICATIONS

Part	Material	Description
1	Ductile Iron	ASTM A536 65-45-12
2	Ductile Iron	ASTM A536 65-45-13
3	Stainless Steel	ASTM A743 PFA-Fused*
4	Stainless Steel	ASTM A479-410
5	Steel	ASTM A36
6	Steel	ASTM A53M
7	Ductile Iron	ASTM A536 65-45-13
8	Stainless Steel	ASTM A479-410
9	Steel	ASTM A36
10	Stainless Steel	ASTM A479-410
11	Steel	Zn Plated
12	Steel	Zn Plated
13	Steel	Zn Plated
14	Steel	Zn Plated
15	Steel	Zn Plated
16	PTFE	3-Piece Chevron Style
17	PTFE	
18	PTFE 15% GF	15% Glass Filled PTFE
19	Red Foam Rubber	
20	PTFE	
21	Steel	Zn Plated

*PFA is an ingredient commonly branded as Teflon®



DIMENSIONS

	2"	2 1/2"	3"	4"	6"
A Face to Face	7"	7.5"	8"	9"	10.5"
B Center of Port to Top	6.5"	7.5"	8.25"	9"	12"
C Port Diameter	2"	2.5"	3"	4"	6"
D Center of Valve to Handle End	12.5"	14"	14"	16"	30.5"
Weight lbs.	16	35	47	68	122
CV	500	750	1245	2500	5470
Mounting Pad	F07	F10	F10	F10	F12

OPERATING TORQUE

Size	Torque (ft. lbs.)
2"	35
2 1/2"	48
3"	62
4"	130
6"	260

PROJECT:	SUBMITTED BY:

AMERICAN VALVE

4321 PIEDMONT PARKWAY, GREENSBORO, NC 27410
 PHONE: 800-645-0101 • EMAIL: SALES@AMERICANVALVE.COM

Rev. 01/30/20